

JSL-64A-EST Application Guide

Version 1.0 (April 2020)

Introduction

In this document, we will show you the idea of how to use the JSL-64A-EST timer as an espresso-shot-timer on your home espresso machine. This application guide is based on a home espresso machine that requires 120VAC power and is installed with a vibration pump also requires 120VAC. If you have an espresso machine and a vibration pump that require 240VAC, you'll need to use a relay with 240V coil voltage.

Parts

JSL-64A-EST timer

R30A relay (120VAC coil voltage, and one pair of normally open relay contacts)

Wires, 6 pieces

Wiring

Connect the timer, R30A relay, and the vibration pump as shown in the Figure 1 below. Please note that the red lines and black lines indicate wires that carry 120VAC, while the blue lines indicates the wires only carry low voltage signal. Wires attached to pin 1 and 2 on the JSL-64A supply 120V power to the timer. Tap these two wires to the power button of your espresso machine.

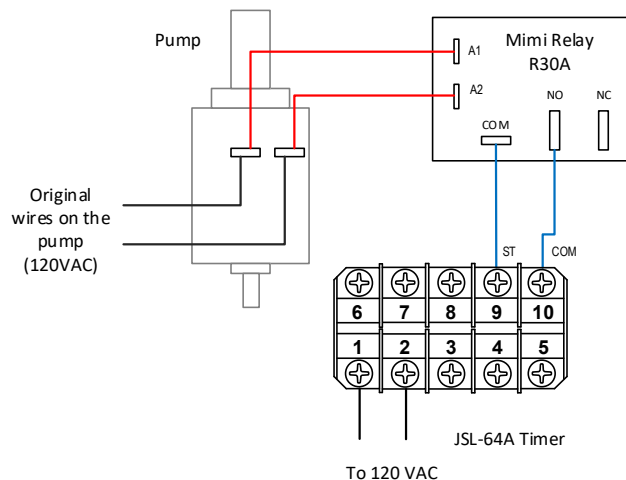


Figure 1. Connecting JSL-64A, relay, and the vibration pump together.

Timer Setting

To use this timer as an espresso shot timer, please set the timer function **FUNC = EST**, and the timer unit **T1u = S**. Then press the RST key to clear the screen. The display will show "0.00" as shown in the Figure 2 below. Please refer to the manual of JSL-64A for details on how access the parameters.



Figure 2. JSL-64A shows 0.00 second in the EST mode.

How it Works

When you flip the power button of the espresso machine to ON position, the timer will also turn on. When you press the coffee button to brew a shot, the vibration pump will get power, and the relay will also be energized to pull in its NO contacts, and so the pin 9 and 10 of the timer are connected together. The timer will start counting time up in seconds. When you flip the coffee button to OFF, the pump will stop, relay contacts drop out, and the timer stops counting. Activate the pump again will reset the timer's display to zero and starts the counting again.

(End)

Auber Instruments

5755 North Point Parkway, Suite 99

Alpharetta, GA 30022, USA

www.auberins.com

E-mail: info@auberins.com Tel: 770-569-8420